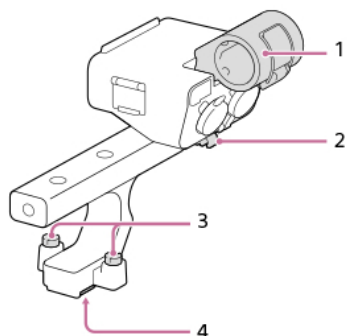


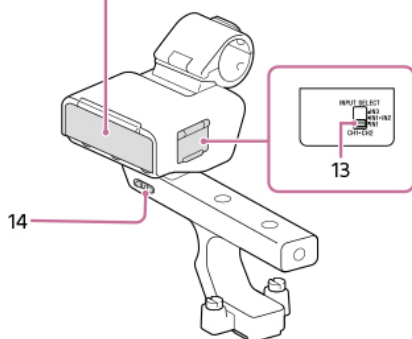
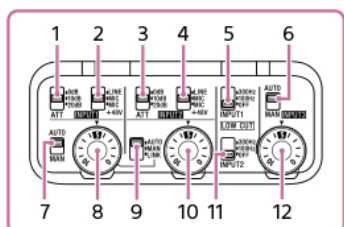
XLR handle unit (ILME-FX30 only)

Body parts



1. Microphone holder
2. Cable holder
3. Attachment screws
4. Multi Interface foot

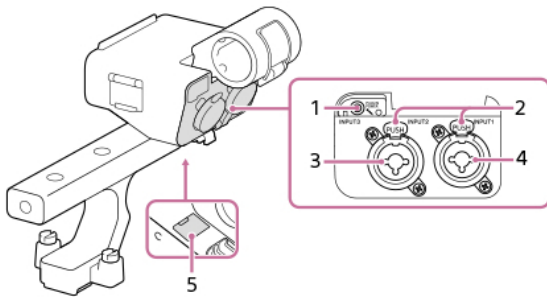
Switches and dials



1. ATT (INPUT1) switch
Select the standard input level of the INPUT1 jack. This switch setting is active when the INPUT1 (LINE/MIC/MIC+48V) switch is set to "MIC" or "MIC+48V."
2. INPUT1 (LINE/MIC/MIC+48V) switch
Select the option suitable for the device connected to the INPUT1 jack.
3. ATT (INPUT2) switch
Select the standard input level of the INPUT2 jack. This switch setting is active when the INPUT2 (LINE/MIC/MIC+48V) switch is set to "MIC" or "MIC+48V."
4. INPUT2 (LINE/MIC/MIC+48V) switch
Select the option suitable for the device connected to the INPUT2 jack.
5. LOW CUT (INPUT1) switch
Use this switch to minimize unwanted noise by attenuating low-frequency components of the input audio from the INPUT1 jack.
6. AUTO/MAN (INPUT3) switch
Select the method (Auto/Manual) for adjusting the volume level of the input audio from the INPUT3 jack.

7. **AUTO/MAN (INPUT1) switch**
Select the method (Auto/Manual) for adjusting the volume level of the input audio from the INPUT1 jack.
8. **AUDIO LEVEL (INPUT1) dial**
Adjust the recording volume level of the input audio from the INPUT1 jack.
9. **AUTO/MAN/LINK (INPUT2) switch**
Select the method (Auto/Manual/Link to INPUT1) for adjusting the volume level of the input audio from the INPUT2 jack.
10. **AUDIO LEVEL (INPUT2) dial**
Adjust the recording volume level of the input audio from the INPUT2 jack.
11. **LOW CUT (INPUT2) switch**
Use this switch to minimize unwanted noise by attenuating low-frequency components of the input audio from the INPUT2 jack.
12. **AUDIO LEVEL (INPUT3) dial**
Adjust the recording volume level of the input audio from the INPUT3 jack.
13. **INPUT SELECT switch**
Select the audio input for recording audio to the channels on the attached camera.
14. **HANDLE AUDIO switch**
Enable audio input from the XLR adaptor.

Ports and jacks



1. INPUT3 jack (stereo mini-jack, plug-in-power compatible)
2. Release lever
3. INPUT2 jack (3-pin XLR/TRS, female type, phantom-power compatible)
4. INPUT1 jack (3-pin XLR/TRS, female type, phantom-power compatible)
5. Micro USB port

Note

- Do not touch the connectors with bare hands.